



Latest generation testo air velocity & IAQ probes with cable handle

Instruction manual



Contents

1	About this document	5
2	Safety and disposal	5
3	System description	6
4	Description of the instrument	8
4.1	Cable handle for connecting testo 440 probe heads (0554 2222)	8
4.2	Hot wire probe, including temperature and humidity sensor (0635 1572)	9
4.3	Vane probe (Ø 16 mm), including temperature sensor (0635 9572).....	10
4.4	High-precision vane probe (Ø 100 mm), including temperature sensor (0635 9372)	12
4.5	Vane probe (Ø 100 mm), including temperature sensor (0635 9432)...	13
4.6	High-precision temperature/humidity probe (0635 9772)	15
4.7	Temperature/humidity sensor (0635 9732).....	16
4.8	CO ₂ probe, including temperature and humidity sensor (0632 1552) ..	17
4.9	CO probe (0632 1272).....	18
5	Commissioning	19
6	Maintenance	19
6.1	Maintaining the probes	19
6.1.1	Cleaning the instrument.....	19
6.1.2	Calibration	20
7	Technical data	20
8	Accessories and spare parts	26

1 About this document

- The instruction manual is an integral part of the instrument.
- Please read this instruction manual through carefully and familiarize yourself with the product before putting it to use.
- Pay particular attention to the safety instructions and warning advice in order to prevent injury and damage to the product.
- Keep this documentation to hand so that you can refer to it when necessary.
- Always use the complete original instruction manual.
- Hand this instruction manual on to any subsequent users of the product.

2 Safety and disposal

Security

- Only use the product properly, for its intended purpose, and within the parameters specified in the technical data. Do not apply any force.
- Dangers may also arise from the systems being measured or the measuring environment: always comply with the locally valid safety regulations when carrying out measurements.
- Do not carry out any contact measurements on uninsulated, live parts.
- Do not store the product together with solvents. Do not use any desiccants.
- Only carry out maintenance and repair work on this instrument which is described in the documentation. Follow the prescribed steps exactly when doing the work. Use only original spare parts from Testo.
- Temperature information given on probes/sensors relates only to the measuring range of the sensor technology. Do not expose handles and feed lines to temperatures in excess of 50°C (122°F), unless they are expressly authorized for use at higher temperatures.
- Do not operate the instrument if there are signs of damage on the housing or supply lines.
- Dispose of faulty rechargeable batteries and spent batteries in accordance with the valid legal specifications.

3 System description

- At the end of its useful life, deliver the product to the separate collection point for electric and electronic devices (observe local regulations) or return the product to Testo for disposal.

3 System description

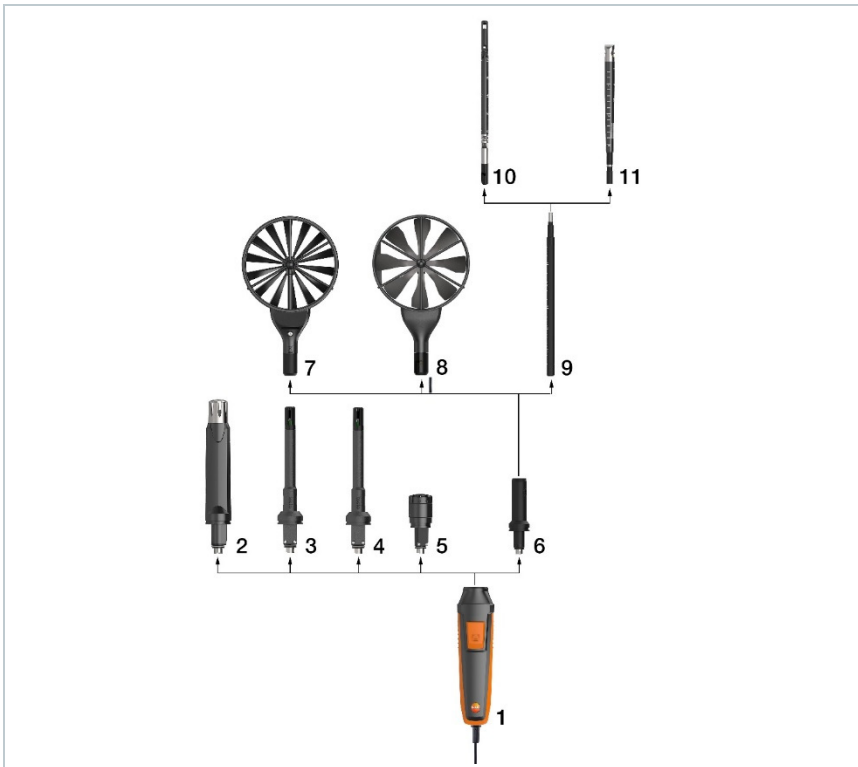
You have acquired a probe. This probe comprises a cable handle, a probe head and, if applicable, additional probe-specific accessories.

The cable handle can be connected to all the system's probe heads and attachments. The graphic below shows what options the system offers.



You will find detailed information about how each of the probes works along with the testo 440 measuring instrument in the corresponding chapter of the instruction manual for the measuring instrument.

System overview



Element		Element	
1	Cable handle for connecting testo 440 probe heads (order no. 0554 2222)	2	CO ₂ probe head, including humidity and temperature sensor (order no. 0632 1550)
3	High-precision temperature/humidity probe head (order no. 0636 9770)	4	Temperature/humidity probe head (order no. 0636 9730)
5	CO probe head (order no. 0615 1270)	6	Handle adapter for connecting testo 440 flow probes (order no. 0554 2160)
7	100 mm vane probe head (order no. 0635 9430)	8	High-precision 100 mm vane probe head, including temperature sensor (order no. 0635 9370)
9	Extendable telescope for testo 440 flow probes, including 90° angle) (order no. 0554 0960)	10	Hot wire probe head, including temperature and humidity sensor (order no. 0635 1570)
11	16 mm vane probe head, including temperature sensor (order no. 0635 9570)		

4 Description of the instrument

4.1 Cable handle for connecting testo 440 probe heads (0554 2222)

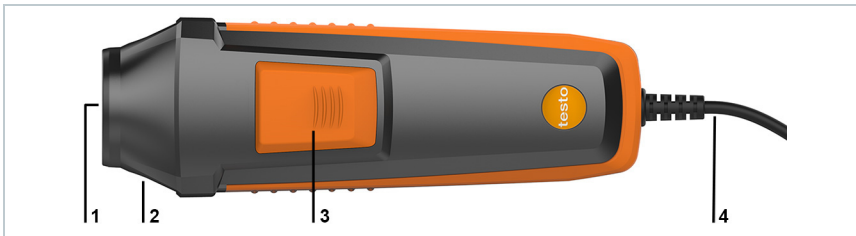
Application

The handle is used to connect probe heads to the testo 440 measuring instrument.



Pay attention to the information on the measuring process in the detailed instruction manual for the measuring instrument. You will find this at: www.testo.com.

Structure



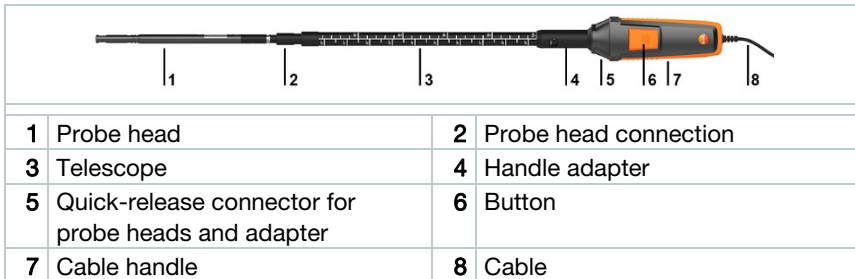
1	Insert port for probe heads and adapter	2	Quick-release connector for probe heads and adapter
3	Button	4	Cable

4.2 Hot wire probe, including temperature and humidity sensor (0635 1572)

Use

In conjunction with the testo 440, the hot wire probe is suitable for flow and humidity measurements in ventilation ducts.

Structure



CAUTION

Damage to sensor possible!

- Do not touch sensor!
- Put the protective sleeve on after the measurement.



Low flow velocities may result in greater measurement uncertainties during temperature and humidity measurement. The probe should be switched on outside a duct under the following conditions:



Ambient temperature: 20°C

Flow: approx. 0 m/s.

Connect hot wire probe to the handle

- 1 Turn quick-release connector, viewed from the handle end, through 90° anticlockwise until it locks in place.
- 2 Insert handle adapter into the handle (pay attention to coding).
- 3 Turn quick-release connector back through 90° until it locks in place.




- | | | |
|---|---------------------------------------------------------------------------------------------|-----------------------------------------------------------------------------------|
| 4 | Insert telescope into the handle adapter (pay attention to the guide groove and guide pin). |  |
| 5 | Push telescope in slightly and turn to lock in place. | |
| 6 | Push probe head onto the telescope (pay attention to the guide groove and guide pin). |  |
| 7 | Push probe head in slightly and turn to lock in place. | |
- ▶ The hot wire probe is ready to use.

4.3 Vane probe (Ø 16 mm), including temperature sensor (0635 9572)

Application

In conjunction with the testo 440, the vane probe (Ø 16 mm) is suitable for flow measurements in ventilation ducts.

Structure

			
1	Probe head	2	Probe head connection
3	Telescope	4	Handle adapter
5	Quick-release connector for probe heads and adapter	6	Button
7	Cable handle	8	Cable

CAUTION

Damage to sensor possible!

- Do not touch sensor!
- Put the protective sleeve on after the measurement.



The testovent bracket included in the package is intended for the testovent 417 measurement funnel.

Connect the vane probe (Ø 16 mm) to the handle

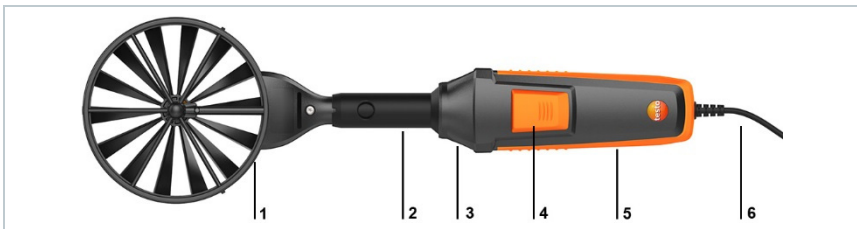
- | | | |
|---|--------------------------------------------------------------------------------------------------------------|--|
| 1 | Turn quick-release connector, viewed from the handle end, through 90° anticlockwise until it locks in place. | |
| 2 | Insert handle adapter into the handle (pay attention to coding). | |
| 3 | Turn quick-release connector back through 90° until it locks in place. | |
| 4 | Insert telescope into the handle adapter (pay attention to the guide groove and guide pin). | |
| 5 | Push telescope in slightly and turn to lock in place. | |
| 6 | Push probe head onto the telescope (pay attention to the guide groove and guide pin). | |
| 7 | Push probe head in slightly and turn to lock in place. | |
- ▶ The vane probe (Ø 16 mm) is ready to use.

4.4 High-precision vane probe (Ø 100 mm), including temperature sensor (0635 9372)

Application

In conjunction with the testo 440, the high-precision vane probe (Ø 100 mm) is used for flow measurement, e.g. at ventilation outlets.

Structure



1	Probe head	2	Handle adapter
3	Quick-release connector for probe heads and adapter	4	Button
5	Cable handle	6	Cable

CAUTION

Damage to sensor possible!

- Do not touch sensor!



The testovent bracket included in the package is intended for the testovent 417 measurement funnel.

Connect high-precision vane probe (Ø 100 mm) to the handle

- 1 Turn quick-release connector, viewed from the handle end, through 90° anticlockwise until it locks in place.
- 2 Insert handle adapter into the handle (pay attention to coding).
- 3 Turn quick-release connector back through 90° until it locks in place.



- 4 Insert probe head into the handle adapter (pay attention to the guide groove and guide pin).



- 5 Push probe head in slightly and turn to lock in place.

- ▶ The high-precision vane probe is ready to use.



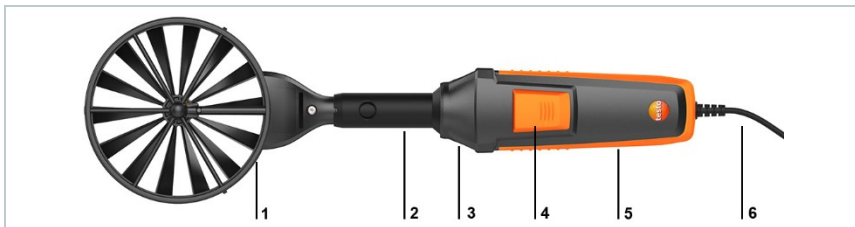
If necessary, the telescope (order no. 0554 0960) and the 90° angle (order no. 0554 0991) can be connected, e.g. for measurements at ceiling outlets.

4.5 Vane probe (Ø 100 mm), including temperature sensor (0635 9432)

Application

In conjunction with the testo 440, the vane probe (Ø 100 mm) is used for flow measurement, e.g. at ventilation outlets.

Structure



1	Probe head	2	Handle adapter
3	Quick-release connector for probe heads and adapter	4	Button
5	Cable handle	6	Cable

CAUTION

Damage to sensor possible!

- Do not touch sensor!

Connect vane probe (Ø 100 mm) to the handle

- 1 Turn quick-release connector, viewed from the handle end, through 90° anticlockwise until it locks in place.
 - 2 Insert handle adapter into the handle (pay attention to coding).
 - 3 Turn quick-release connector back through 90° until it locks in place.
 - 4 Insert probe head into the handle adapter (pay attention to the guide groove and guide pin).
 - 5 Push probe head in slightly and turn to lock in place.
- ▶ The vane probe is ready to use.



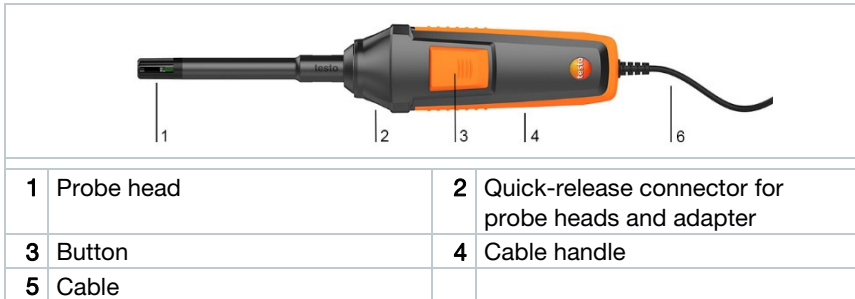
If necessary, the telescope (order no. 0554 0960) and the 90° angle (order no. 0554 0991) can be connected, e.g. for measurements at ceiling outlets.

4.6 High-precision temperature/humidity probe (0635 9772)

Application

In conjunction with the testo 440, the high-precision temperature/humidity probe is used to measure humidity and temperature.

Structure



CAUTION

Damage to sensor possible!

- Do not touch sensor!

Connect high-precision temperature/humidity probe to the handle

- 1 Turn quick-release connector, viewed from the handle end, through 90° anticlockwise until it locks in place.
- 2 Insert probe head into the handle (pay attention to coding).
- 3 Turn quick-release connector back through 90° until it locks in place.



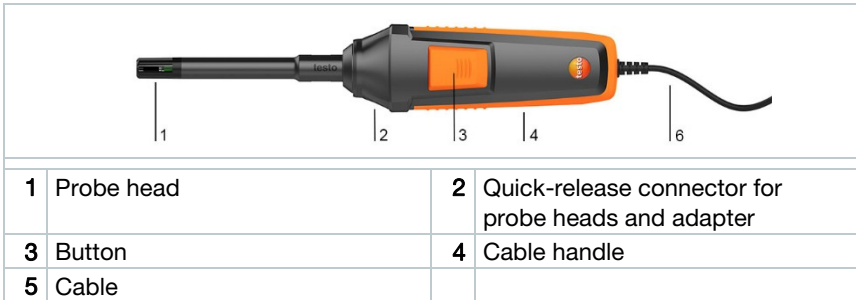
- The high-precision temperature/humidity probe is ready to use.

4.7 Temperature/humidity sensor (0635 9732)

Application

In conjunction with the testo 440, the temperature/humidity probe is used to measure humidity and temperature.

Structure



CAUTION

Damage to sensor possible!

- Do not touch sensor!

Connect temperature/humidity probe to the handle

- 1 Turn quick-release connector, viewed from the handle end, through 90° anticlockwise until it locks in place.
- 2 Insert probe head into the handle (pay attention to coding).
- 3 Turn quick-release connector back through 90° until it locks in place.



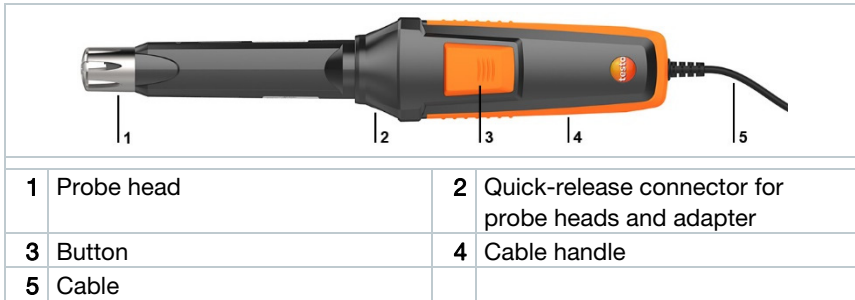
- ▶ The temperature/humidity probe is ready to use.

4.8 CO₂ probe, including temperature and humidity sensor (0632 1552)

Application

In conjunction with the testo 440, the CO₂ probe is used to determine CO₂ and to measure humidity and temperature.

Structure



CAUTION

- The probe contains sensitive visual components. Please handle the probe with care.
- Strong vibrations alter the factory calibration. Checking of readings in fresh air 350 to 450 ppm CO₂ (urban air up to 700 ppm CO₂).
- Avoid dew on the probe, otherwise long-term stability will be impaired. If there is dew on the probe, this can lead to higher CO₂ readings.
- If the ambient temperature changes (change of measuring location, e.g. indoors to outdoors or vice versa), the probe requires an acclimatization phase of a few minutes.
- After the instrument is switched on, there is a sensor warm-up phase of approx. 30 s.
- The CO₂ concentration in the sensor requires approx. 60 s to acclimatize to the environment. Gently waving the probe reduces the acclimatization time.
- Keep the probe as far away from your body as possible. This avoids any influences due to the CO₂ content of the air you breathe.

Connect CO₂ probe to the handle

- 1 Turn quick-release connector, viewed from the handle end, through 90° anticlockwise until it locks in place.
 - 2 Insert probe head into the handle (pay attention to coding).
 - 3 Turn quick-release connector back through 90° until it locks in place.
- ▶ The CO₂ probe is ready to use.

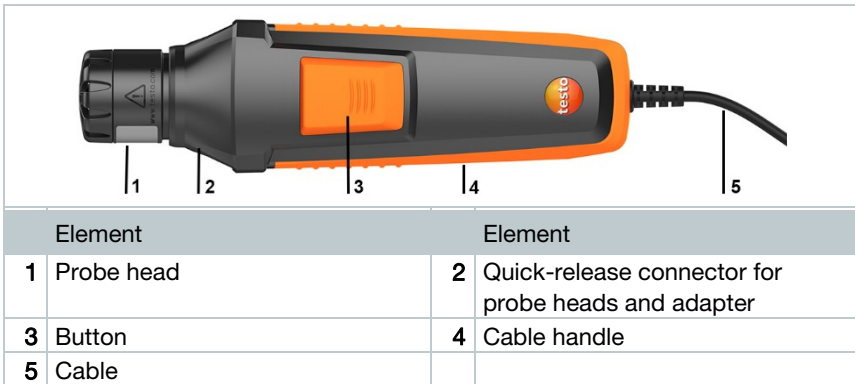


4.9 CO probe (0632 1272)

Application

In conjunction with the testo 440, the CO probe is used to determine the CO concentration in the environment.

Structure



⚠ DANGER

Risk of death!

Carbon monoxide is a colourless, odourless and tasteless gas. High concentrations can cause death.

- Do not use the CO probe as a monitoring instrument for personal safety.

Connect CO probe to the handle

- 1 Turn quick-release connector, viewed from the handle end, through 90° anticlockwise until it locks in place.
 - 2 Insert probe head into the handle (pay attention to coding).
 - 3 Turn quick-release connector back through 90° until it locks in place.
- ▶ The CO probe is ready to use.



5 Commissioning

Displaying readings

- ✓ Sensor is connected to the measuring instrument.
- ▶ Readings are displayed.

6 Maintenance

6.1 Maintaining the probes

6.1.1 Cleaning the instrument



Do not use any aggressive cleaning agents or solvents; instead use mild household cleaning agents or soapy water.



Always keep the connections clean and free from grease and other deposits.

Clean the instrument and the connections with a damp cloth and dry them off.

6.1.2 Calibration



The probes are supplied with a factory calibration protocol as standard. Recalibration of the probes once every 12 months is recommended in many applications.

This can be carried out by Testo Industrial Services (TIS) or other certified service providers with the aid of easy-to-use service software. Please contact Testo for further information.

7 Technical data



- Adjustment conditions for flow probes:
Adjustment in free jet Ø 350 mm, reference pressure 1013 hPa, based on testo reference Laser Doppler Anemometer (LDA).
 - Note for flow probes:
Low flow velocities may result in greater measurement uncertainties during humidity and temperature measurement!
 - Note for humidity probes:
Please do not use the humidity probes in condensing atmospheres. For continuous use in high-humidity ranges
> 80% RH at ≤ 30°C for > 12 h
> 60% RH at > 30°C for > 12 h
please get in touch with Testo Service or contact us via the Testo website.
-

Cable handle for connecting testo 440 probe heads (0554 2222)

Feature	Value
Storage temperature	-20 to +60°C
Operating temperature	-5 to +50°C
Dimensions	165 mm x 50 mm x 40 mm

Hot wire probe, including temperature and humidity sensor (0635 1572)

Feature	Value
---------	-------

Feature	Value
Measuring range	0 to +50 m/s -20 to +70°C 5 to 95% RH 700 to 1100 hPa
Accuracy (at 22°C, ±1 digit)	±(0.03 m/s + 4% of m.v.) (0 to 20 m/s) ±(0.5 m/s + 5% of m.v.) (20.01 to 30 m/s) ±0.8°C (-20 to 0°C) ±0.5°C (0 to +70°C) ±3 hPa
Accuracy (at 25°C, ±1 digit)	±3.0% RH (10 to 35% RH) ±2.0% RH (35 to 65% RH) ±3.0% RH (65 to 90% RH) ±5% RH (remaining measuring range) Additional uncertainty: - Hysteresis: ±1.0% RH - Long-term stability: ±1% RH / year
Resolution	0.01 m/s 0.1°C 0.1% RH 0.1 hPa
Temperature coefficient	type (k=1) 0.06% RH/K
Storage temperature	-20 to +60°C
Operating temperature	-5 to +50°C
Probe head length	230 mm
Ø probe head on the sensor	9 mm
Dimensions of probe head with telescope	Extension length: 1000 mm Probe length from handle end to probe head end with retracted telescope: 800 mm
Directives, standards and tests	EU directive: 2014/30/EU

Vane probe (Ø 16 mm), including temperature sensor (0635 9572)

Feature	Value
Measuring range	0.6 to 50 m/s -10 to +70°C
Accuracy (at 22°C, ±1 digit)	±(0.2 m/s + 1% of m.v.) (0.6 to 40 m/s) ±(0.2 m/s + 2% of m.v.) (40.1 to 50 m/s) ±1.8°C
Resolution	0.1 m/s 0.1°C
Storage temperature	-20 to +60°C
Operating temperature	-5 to +50°C
Dimensions	790 mm x 50 mm x 40 mm
Probe head length	230 mm
Ø probe head	16 mm
Dimensions of probe head with telescope	Extension length: 1000 mm Probe length from handle end to probe head end with retracted telescope: 800 mm
Directives, standards and tests	EU directive: 2014/30/EU

High-precision vane probe (Ø 100 mm), including temperature sensor (0635 9372)

Feature	Value
Measuring range	0.1 to 15 m/s -20 to +70°C
Accuracy (at 22°C, ±1 digit)	±(0.1 m/s + 1.5% of m.v.) (0.1 to 15 m/s) ±0.5°C
Resolution	0.01 m/s 0.1°C
Storage temperature	-20°C to +60°C
Operating temperature	-5 to +50°C
Dimensions	375 mm x 105 mm x 46 mm
Ø vane	100 mm
Directives, standards and tests	EU directive: 2014/30/EU

Vane probe (Ø 100 mm), including temperature sensor (0635 9432)

Feature	Value
Measuring range	0.3 to 35 m/s -20 to +70°C
Accuracy (at 22°C, ±1 digit)	±(0.1 m/s + 1.5% of m.v.) (0.3 to 20 m/s) ±(0.2 m/s + 1.5% of m.v.) (20.01 to 35 m/s) ±0.5°C ±0.5°C (-20 to 0°C)
Resolution	0.01 m/s 0.1°C
Storage temperature	-20 to +60°C
Operating temperature	-5 to +50°C
Dimensions	375 mm x 105 mm x 46 mm
Ø vane	100 mm
Directives, standards and tests	EU directive: 2014/30/EU

High-precision temperature/humidity probe (0636 9772)

Feature	Value
Measuring range	-20 to 70°C 0 to 100% RH
Accuracy (at 22°C, ±1 digit)	±0.3°C (15 to 30°C), ±0.5°C remaining measuring range
Accuracy (25°C, +- 1 digit)	±(0.6% RH + 0.7% of m.v.) (0 to 90% RH) ±(1.0% RH + 0.7% of m.v.) (90 to 100% RH) Additional uncertainty: - Hysteresis: ±0.4 %RH - Long-term stability: ±1% RH / year
Resolution	0.1°C 0.01% RH
Temperature coefficient	type (k=1) ±0.03% RH/K
Storage temperature	-20°C to +60°C
Operating temperature	-5°C to +50°C
Dimensions	295 mm x 50 mm x 40 mm
Probe head length	140 mm
Ø probe head	Ø 12 mm

Feature	Value
Directives, standards and tests	EU directive: 2014/30/EU

Temperature/humidity probe (0636 9732)

Feature	Value
Measuring range	-20 to +70°C 0 to 100% RH
Temperature accuracy (at 22°C ±1 digit)	±0.5°C
Humidity accuracy (at 25°C ±1 digit)	±2% RH (5 to 90% RH) Additional uncertainty: - Long-term stability: ±1% RH / year
Resolution	0.1°C 0.1% RH
Temperature coefficient	type (k=1) ±0.03% RH/K
Storage temperature	-20°C to +60°C
Operating temperature	-5°C to +50°C
Dimensions	295 mm x 50 mm x 40 mm
Ø probe head	12 mm
Directives, standards and tests	EU directive: 2014/30/EU

CO2 probe, including temperature and humidity sensor (0632 1552)

Feature	Value
Measuring range	0 to +50°C 5 to 95% RH 0 to 10,000 ppm CO2 700 to 1100 hPa
Accuracy (at 22°C, ±1 digit)	±0.5°C ±(50 ppm + 3% of m.v.) (0 to 5,000 ppm) ±(100 ppm + 5% of m.v.) (5,001 to 10,000 ppm) ±3 hPa

Feature	Value
Accuracy (at 25°C, ±1 digit)	±3.0% RH (10 to 35% RH) ±2.0% RH (35 to 65% RH) ±3.0% RH (65 to 90% RH) ±5% RH (remaining range) Additional uncertainty: - Hysteresis: ±1% RH - Long-term stability: ±1% RH / year
Resolution	0.1°C 0.1% RH 1 ppm 0.1 hPa
Temperature coefficient	type (k=1) 0.06% RH/K (0 to +50°C) ±(2 ppm + 0.4% of m.v.) / K
Storage temperature	-20°C to +60°C
Operating temperature	-5°C to +50°C
Dimensions	290 mm x 50 mm x 40 mm
Ø probe head	21 mm
Directives, standards and tests	EU directive: 2014/30/EU

CO probe (0632 1272)

Feature	Value
Measuring range	0 to 500 ppm
Accuracy (at 22°C, ±1 digit)	±3 ppm (0 to 30 ppm) ±10% of m.v. (30.1 to 500 ppm)
Resolution	0.1 ppm
Storage temperature	-20 to +50°C / recommended: -10 to +30°C
Operating temperature	-5 to +50°C
Dimensions	195 mm x 50 mm x 40 mm
Ø probe head	30 mm
Directives, standards and tests	EU directive: 2014/30/EU

8 Accessories and spare parts

Description	Order no.
Hot wire probe head, including temperature and humidity sensor	0635 1570
16 mm vane probe head, including temperature sensor	0635 9570
High-precision 100 mm vane probe head, including temperature sensor	0635 9370
100 mm vane probe head	0635 9430
High-precision temperature/humidity probe head	0636 9770
Temperature/humidity probe head	0636 9730
CO ₂ probe head, including temperature and humidity sensor	0632 1550
Probe head - CO probe	0632 1270
Cable handle for connecting testo 440 probe heads	0554 2222
Measuring stand for comfort level measurements with standard-compliant positioning of probes (including bag)	0554 1590
Telescope extension (length 0.40 to 0.85 m) for testo 440 flow probes	0554 0990
90° angle for connecting the testo 440 vane probe (Ø 100 mm)	0554 0991
Handle adapter for connecting testo 440 flow probes (0554 2160)	0554 2160
Extendable telescope for testo 440 flow probes, including 90° angle (0554 0960)	0554 0960
Combi-case for testo 440 and multiple probes	0516 4401



Testo SE & Co. KGaA
Testo-Straße 1
79853 Lenzkirch
Germany
Tel.: 07653 681-0
Fax: 07653 681-7699
Email: info@testo.de
Internet: www.testo.de